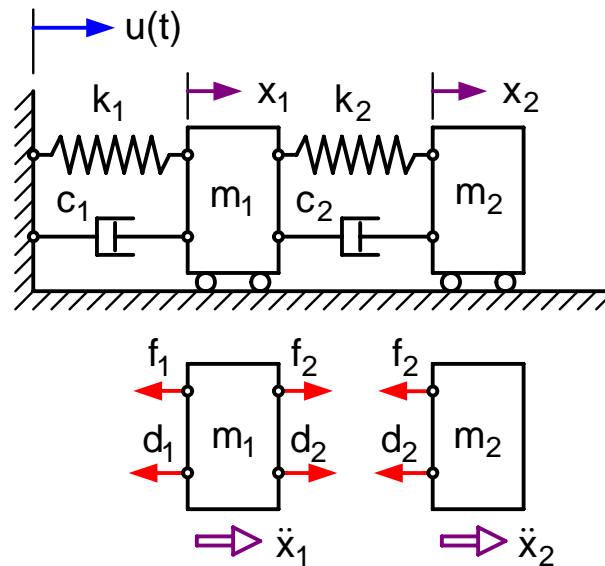




K-12204 VÄRÄHTELYMEKANIikka



$$[M] \{\ddot{x}\} + [C] \{\dot{x}\} + [K] \{x\} = \{F\}$$